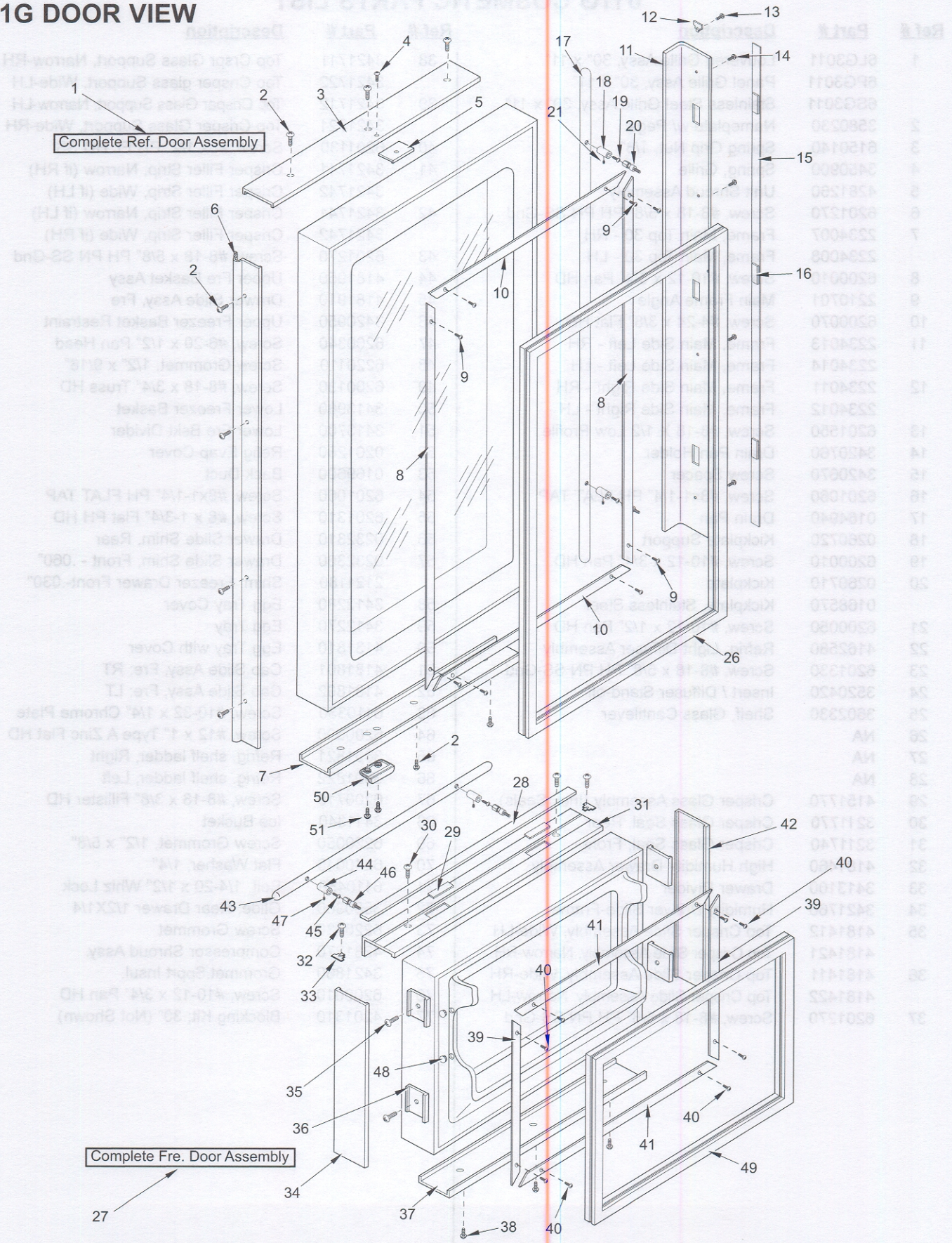


611G DOOR PARTS LIST

Ref #	Part #	Description	Ref #	Part #	Description
1	4134655	Door Assy,Ref 611G Frmd/Overlay-RH	22	NA	
	4134656	Door Assy,Ref 611G Frmd/Overlay-LH	23	NA	
	4134657	Door Assy,Ref 611HAG Frmd/Olay-RH	24	NA	
	4134658	Door Assy,Ref 611HAG Frmd/Olay-LH	25	NA	
	4134665	Door Assy, Ref 611G SS-RH	26	3212160	Door Gasket, Refrigerator
	4134666	Door Assy, Ref 611G SS-LH	27	4133145	Freezer Drawer Assy-Frame/Overlay
	4134667	Door Assy, Ref 611HAG SS-RH		4133285	Freezer Drawer Assy-Stainless Steel
	4134668	Door Assy, Ref 611HAG SS-LH	28	4132380	Handle/Trim Molding Assy, Freezer
NOTE: Door Assy's incl. Wire Harness / Top Hng Assy.			29	3451000	Magnet, Trim Strip
2	6200720	Screw, #8-18 x 1/2 Ph Truss Hd	30	6201300	Tapping Screw, #8 x 1/2
3	2230610	Refrig. Door Trim, Top - RH	31	4132260	Drawer Handle Assy, Freezer (Framed)
	2230611	Refrig. Door Trim, Top - LH		4132360	Handle-Side Door Trim, Freezer (Overlay)
4	6200720	Screw, #8-18 x 1/2 Ph Truss Hd	32	6180160	Rivet, Open End Blind, 1/8 x 3/16
5	4200940	Switch Depressor (Includes Screw)	33	3413340	Handle/Trim End Cap
6	3511140	Door Trim, Hinge Side - (SS Model)	34	2230701	Fre Drawer Trim, Rt Side
	3511141	Door Trim, Hinge Side - Mitered Corner	35	6180040	Pop Rivet, 3/16 x 1/8 Grip
7	2230612	Refrig. Door Trim, Bottom - RH	36	3450460	Clip, Door Trim
	2230613	Refrig. Door Trim, Bottom - LH	37	2230614	Freezer Drawer Trim, Bottom
8	3420240	Gasket Retainer, Side Ref, 47.438	38	6200720	Screw, #8-18 x 1/2 Ph Truss Hd
9	6200410	Screw, #8 x 1/2 Slot Head Hex	39	3420150	Gasket Retainer, 17.312
10	3420200	Gasket Retainer, 27.062	40	6200410	Screw, #8 x 1/2 Slot Head Hex
11	4132240	Door Handle Assy, Refrig. (Framed)	41	3420200	Gasket Retainer, 27.062
	4132340	Handle-side Door Trim, Rfrig. (Overlay)	42	2230702	Fre Drawer Trim, Lt Side
12	3413340	Handle/Trim End Cap	43	3512010	Handle, Door SS 1 X 24.312
13	6180160	Rivet, Open End Blind, 1/8 x 3/16		4133710	Handle Assy, Obr Standoff - Fre
14	6201300	Tapping Screw, #8 x 1/2	44	3512160	Standoff, SS Oval
15	4131870	Handle/Trim Molding Assy, Refrig.	45	6110540	Bolt, #10-24 x 1/2 Flat Socket HD
16	3451000	Magnet, Trim Strip	46	3511520	Handle Mounting Stud
17	3511980	Handle, Door SS 1 X 44.250	47	6110730	Set Screw #10-32 x 1/4 SS Cone
	4133700	Handle Assy, SS OBR Standoff	48	3550230	White Plastic Plug, 3/4
18	3512150	Standoff, SS Oval	49	3212170	Door Gasket, Fre.
19	6110540	Bolt, #10-24 x 1/2 Flat Socket HD	50	3430100	Closer, Door-Door Side
20	3511520	Handle Mounting Stud	51	6110060	Bolt, #10-32 x 5/8", Truss Head
21	6110730	Set Screw #10-32 x 1/4 SS Cone			

611G DOOR VIEW



Complete Ref. Door Assembly

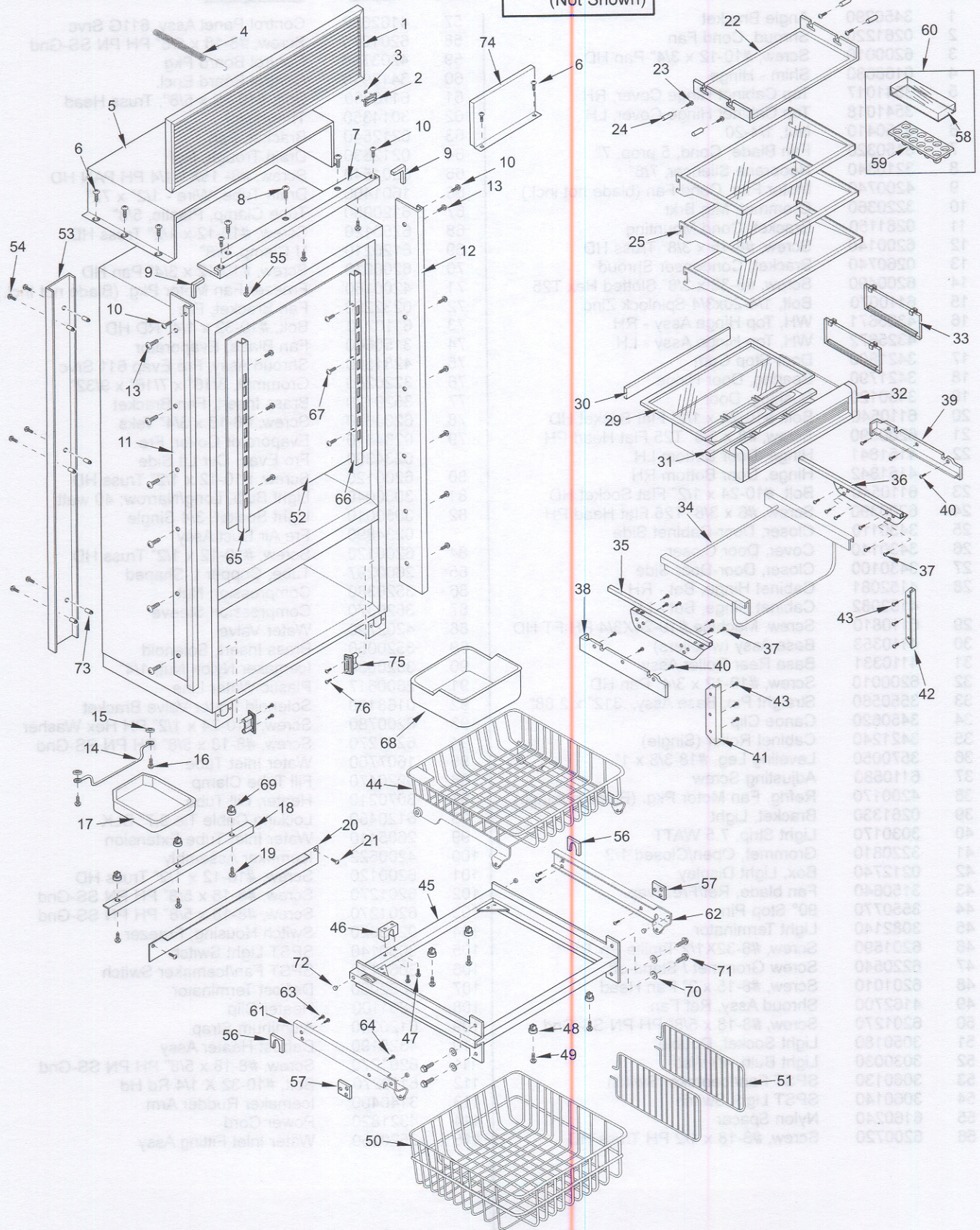
Complete Fre. Door Assembly

611G COSMETIC PARTS LIST

Ref #	Part #	Description	Ref #	Part #	Description
1	6LG3011	Louvered Grille Assy, 30" x 11"	38	3421711	Top Crspr Glass Support, Narrow-RH
	6PG3011	Panel Grille Assy, 30" x 11"		3421722	Top Crisper glass Support, Wide-LH
	6SG3011	Stainless Steel Grille Assy, 30" x 11"	39	3421712	Top Crisper Glass Support, Narrow-LH
2	3580230	Nameplate w/ Pegs		3421721	Top Crisper Glass Support, Wide-RH
3	6150140	Spring Grip Nut, 1/8"	40	6201130	Screw, #8x 1/2" PH FL HD SS
4	3450900	Spring, Grille	41	3421741	Crisper Filler Strip, Narrow (if RH)
5	4281260	Unit Shroud Assembly		3421742	Crisper Filler Strip, Wide (if LH)
6	6201270	Screw, #8-18 x 5/8" PH PN SS-Gnd	42	3421741	Crisper Filler Strip, Narrow (if LH)
7	2234007	Frame, Main Top 30 - RH		3421742	Crisper Filler Strip, Wide (if RH)
	2234008	Frame, Main Top 30 - LH	43	6201270	Screw, #8-18 x 5/8" PH PN SS-Gnd
8	6200010	Screw, #10-12 x 3/4" Pan HD	44	4181950	Upper Fre Basket Assy
9	2210701	Main Frame Angle	45	4181910	Drawer Slide Assy, Fre
10	6200070	Screw, #4-24 x 3/8" Flat HD	46	3420950	Upper Freezer Basket Restraint
11	2234013	Frame, Main Side Left - RH	47	6200340	Screw, #6-20 x 1/2" Pan Head
	2234014	Frame, Main Side Left - LH	48	6220110	Screw Grommet, 1/2" x 9/16"
12	2234011	Frame, Main Side Right - RH	49	6200130	Screw, #8-18 x 3/4" Truss HD
	2234012	Frame, Main Side Right - LH	50	3413980	Lower Freezer Basket
13	6201550	Screw, #8-18 X 1/2 Low Profile	51	3413700	Lower Fre Bskt Divider
14	3420760	Drain Pan Holder	52	0201260	Refig Evap Cover
15	3420670	Screw Spacer	53	0169600	Back Duct
16	6201060	Screw, #8x1-1/4" PH FLAT TAP	54	6201060	Screw, #8x1-1/4" PH FLAT TAP
17	0164940	Drain Pan	55	6201310	Screw, #8 x 1-3/4" Flat PH HD
18	0260720	Kickplate Support	56	0232310	Drawer Slide Shim, Rear
19	6200010	Screw, #10-12 x 3/4" Pan HD	57	0232300	Drawer Slide Shim, Front - .060"
20	0260710	Kickplate		2121180	Shim, Freezer Drawer Front-.030"
	0168570	Kickplate, Stainless Steel	58	3412280	Egg Tray Cover
21	6200050	Screw, #10-12 x 1/2" Pan HD	59	3412270	Egg Tray
22	4162580	Refrig. Light Diffuser Assembly	60	4131810	Egg Tray with Cover
23	6201330	Screw, #8-18 x 5/8" PH PN SS-Gnd	61	4181801	Cab Slide Assy, Fre; RT
24	3520420	Insert / Diffuser Stand-off	62	4181802	Cab Slide Assy, Fre; LT
25	3602330	Shelf, Glass Cantilever	63	6110330	Screw, #10-32 x 1/4" Chrome Plate
26	NA		64	6200590	Screw, #12 x 1" Type A Zinc Flat HD
27	NA		65	3601821	Refrig. shelf ladder, Right
28	NA		66	3601822	Refrig. shelf ladder, Left
29	4151770	Crisper Glass Assembly (Incl. Seals)	67	6200710	Screw, #8-18 x 3/8" Fillister HD
30	3211770	Crisper Glass Seal, Rear	68	3411340	Ice Bucket
31	3211740	Crisper Glass Seal, Front	69	6220050	Screw Grommet, 1/2" x 5/8"
32	4181460	High Humidity Drawer Assembly	70	6240040	Flat Washer, 1/4"
33	3413100	Drawer Divider	71	6110450	Bolt, 1/4-20 x 1/2" Whiz Lock
34	3421760	Humidity Drawer Slide-Frame	72	3550300	Glide, Rear Drawer 1/2X1/4
35	4181412	Top Crisper Slide Assembly, Wide-LH	73	6220430	Screw Grommet
	4181421	Top Crisper Slide Assembly, Narrow-RH	74	4281270	Compressor Shroud Assy.
36	4181411	Top Crisper Slide Assembly, Wide-RH	75	3421860	Grommet, Spprt Insul.
	4181422	Top Crisper Slide Assembly, Narrow-LH	76	6200010	Screw, #10-12 x 3/4" Pan HD
37	6201270	Screw, #8-18 x 5/8" PH PN SS-Gnd	77	4201310	Blocking Kit; 30" (Not Shown)

611G COSMETIC VIEW

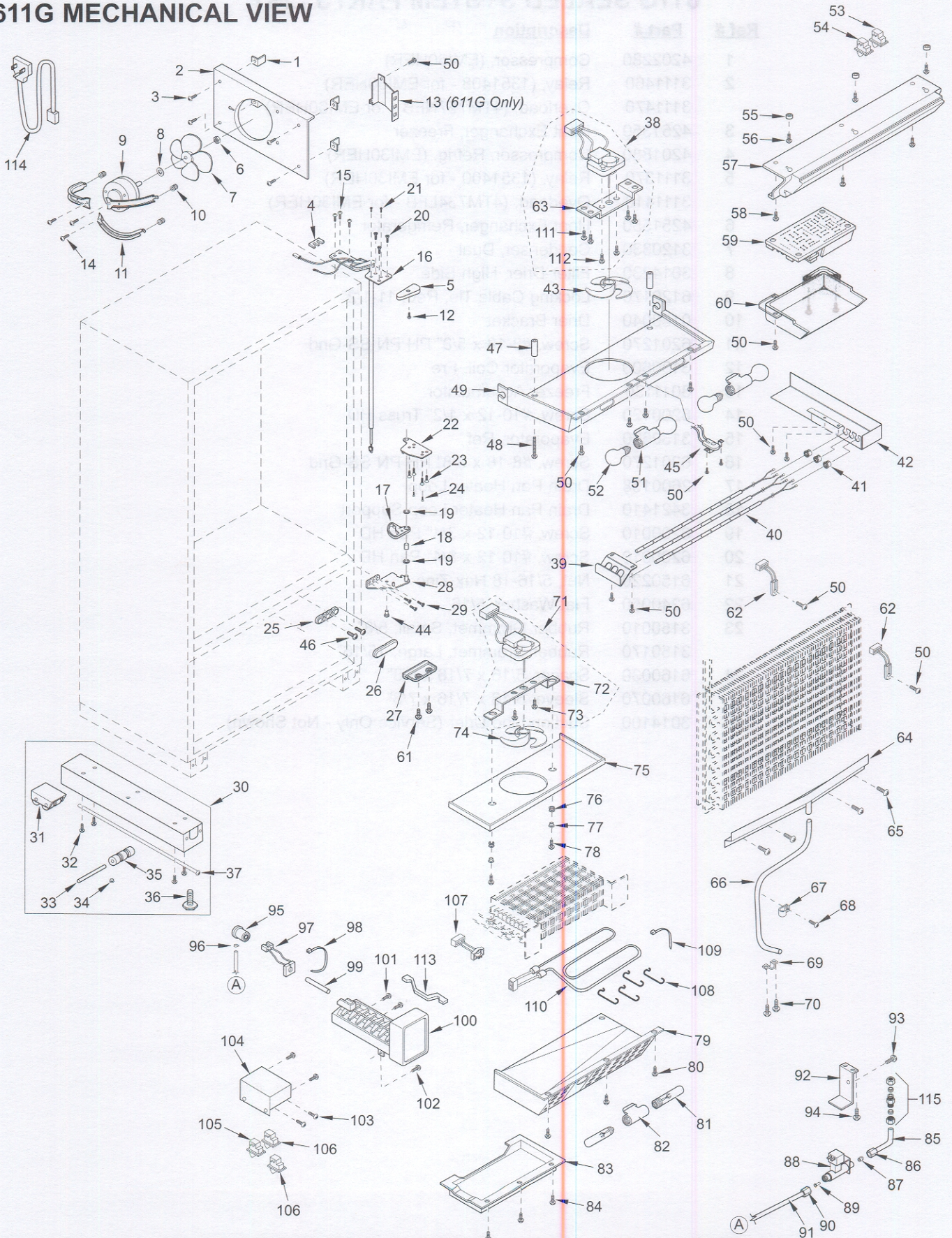
77 - Blocking Kit
(Not Shown)



611G MECHANICAL PARTS LIST

Ref #	Part #	Description	Ref #	Part #	Description
1	3450290	Angle Bracket	57	4162682	Control Panel Assy, 611G Srvc
2	0261220	Shroud, Cond Fan	58	6201270	Screw, #8-18 x 5/8" PH PN SS-Gnd
3	6200010	Screw, #10-12 x 3/4" Pan HD	59	4203790	Control Board Pkg
4	0168680	Shim - Hinge	60	3413940	Control Board Encl.
5	3541017	Top Cabinet Hinge Cover, RH	61	6110060	Bolt, #10-32 x 5/8", Truss Head
	3541018	Top Cabinet Hinge Cover, LH	62	3014350	Thermistor
6	6150410	Nut, 1/4-20	63	0212540	Bracket, Fan
7	3150320	Fan Blade, Cond, 5 prop, 7"	64	0212630	Drain Trough, Ref
8	3210340	Neoprene Silencer, 7/8"	65	6201540	Screw, #8- 15X1-1/4 PH PAN HD
9	4200740	Motor Pkg, Cond Fan (blade not incl.)	66	1601400	Drain Tube, Wire - 1/2" x 72"
10	3220360	Grommet, Mtg Brkt	67	6120050	Tube Clamp, Plastic, 5/8"
11	0261150	Bracket, Cond Mounting	68	6200120	Screw, #10-12 x 1/2" Truss HD
12	6200140	Screw, #8-15 x 3/8" Truss HD	69	6120210	U-Clamp, 5/8"
13	0260740	Bracket, Condenser Shroud	70	6200010	Screw, #10-12 x 3/4" Pan HD
14	6200490	Screw, #8-32 x 3/8" Slotted Hex T25	71	4200160	Freezer Fan Motor Pkg. (Blade not Incl.)
15	6110070	Bolt, 1/4-20x3/4 Spinlock Zinc	72	0232280	Fan Bracket, Fre
16	4325671	WH, Top Hinge Assy - RH	73	6110270	Bolt, #10-32 x 1/4" RD HD
	4325672	WH, Top Hinge Assy - LH	74	3150640	Fan Blade, Evaporator
17	3421800	Door Stop Cam	75	4281500	Shroud Assy, Fre Evap 611 Srvc
18	3421790	Bearing, Door Hinge	76	3220250	Grommet, 3/16" x 7/16" x 9/32"
19	3430120	Bushing, Door	77	3520120	Brass Insert, Fan Bracket
20	6110540	Bolt, #10-24 x 1/2" Flat Socket HD	78	6200670	Screw, #6-18 x 3/4" Tek
21	6200390	Screw, #6 x 3/8" T25 Flat Head PH	79	0234810	Evaporator Cover, Fre
22	4151841	Hinge, Door Bottom LH		0234300	Fre Evap. Cvr Lft Side
	4151842	Hinge, Door Bottom RH	80	6200120	Screw, #10-12 x 1/2" Truss HD
23	6110540	Bolt, #10-24 x 1/2" Flat Socket HD	81	3030040	Light Bulb, Long/Narrow; 40 watt
24	6200390	Screw, #6 x 3/8" T25 Flat Head PH	82	3050010	Light Socket, 3/4 Single
25	3430110	Closer, Door-Cabinet Side		0234890	Fre Air Duct Assy
26	3430140	Cover, Door Closer	84	6200120	Screw, #10-12 x 1/2" Truss HD
27	3430100	Closer, Door-Door Side	85	2600297	Tube, Copper L-Shaped
28	4152081	Cabinet Hinge, Bot - RH	86	3520380	Compression Nut
	4152082	Cabinet Hinge, Bot - LH	87	3520370	Compression Sleeve
29	6110810	Screw, Machine #10-24X3/4 PH FT HD	88	4202790	Water Valve
30	4110353	Base Assy (w/rollers)	89	3520050	Brass Insert, Solenoid
31	4110331	Base Rear Roller Assy	90	3520030	Icemaker Nylon Nut, 1/4"
32	6200010	Screw, #10-12 x 3/4" Pan HD	91	2600617	Plastic Water Line
33	3550560	Straight Pin, Base Assy, .312" x 2.88"	92	0168160	Solenoid Water Valve Bracket
34	3450620	Canoe Clip	93	6200780	Screw, #10-24 x 1/2" PH Hex Washer
35	3421240	Cabinet Roller (Single)	94	6201270	Screw, #8-18 x 5/8" PH PN SS-Gnd
36	3570050	Leveling Leg, #18-3/8 x 1"	95	1607700	Water Inlet Tube
37	6110580	Adjusting Screw	96	6220470	Fill Tube Clamp
38	4200170	Refrig. Fan Motor Pkg. (Blade not Incl.)	97	3070210	Heater, Fill Tube
39	0261330	Bracket, Light	98	6120450	Locking Cable Tie 9.7" BLK
40	3030170	Light Strip, 7.5 WATT	99	2605410	Water Inlet Tube Extension
41	3220810	Grommet, Open/Closed 1/2	100	4200522	Icemaker Assembly
42	0212740	Box, Light Display	101	6200120	Screw, #10-12 x 1/2" Truss HD
43	3150640	Fan blade, Ref/Fre Evap.	102	6201270	Screw, #8-18 x 5/8" PH PN SS-Gnd
44	3550770	90° Stop Pin	103	6201270	Screw, #8-18 x 5/8" PH PN SS-Gnd
45	3082140	Light Terminator	104	0233820	Switch Housing, Freezer
46	6201590	Screw, #8-32X1/2 Taplite Pn Trx	105	3060140	SPST Light Switch
47	6220540	Screw Grommet / Stand-off	106	3060130	SPST Fan/Icemaker Switch
48	6201010	Screw, #8-15 x 2" Pan Head	107	3082060	Defrost Terminator
49	4162700	Shroud Assy, Ref Fan	108	1801100	Heater Clip
50	6201270	Screw, #8-18 x 5/8" PH PN SS-Gnd	109	6120340	Aluminum Strap
51	3050180	Light Socket, Double	110	4325190	Defrost Heater Assy
52	3030030	Light Bulb, 40 Watt	111	6201270	Screw, #8-18 x 5/8" PH PN SS-Gnd
53	3060130	SPST Fan/Icemaker Switch	112	6110270	Bolt, #10-32 X 1/4 Rd Hd
54	3060140	SPST Light Switch	113	3140400	Icemaker Rudder Arm
55	6160240	Nylon Spacer	114	4321820	Power Cord
56	6200720	Screw, #8-18 x 1/2 PH Truss HD	115	3520250	Water Inlet Fitting Assy

611G MECHANICAL VIEW



611G SEALED SYSTEM PARTS LIST

<u>Ref #</u>	<u>Part #</u>	<u>Description</u>
1	4202280	Compressor, (EMI60HER)
2	3111460	Relay, (1351408 - for EMI60HER)
	3111470	Overload, (4TM757NFB - for EMI60HER)
3	4251350	Heat Exchanger, Freezer
4	4201880	Compressor, Refrig. (EMI30HER)
5	3111370	Relay, (1351400 - for EMI30HER)
	3111410	Overload, (4TM734LFB - for EMI30HER)
6	4251550	Heat Exchanger, Refrigerator
7	3120330	Condenser, Dual
8	3014230	Filter-Drier, High Side
9	6120170	Locking Cable Tie, Red, 11-1/2"
10	0168040	Drier Bracket
11	6201270	Screw, #8-18 x 5/8" PH PN SS-Gnd
12	3130600	Evaporator Coil, Fre
13	3011130	Freezer Accumulator
14	6200120	Screw, #10-12 x 1/2" Truss HD
15	3130630	Evaporator, Ref
16	6201270	Screw, #8-18 x 5/8" PH PN SS-Gnd
17	2600138	Drain Pan Heater Loop
18	3421410	Drain Pan Heater Loop Support
19	6200010	Screw, #10-12 x 3/4" Pan HD
20	6200010	Screw, #10-12 x 3/4" Pan HD
21	6150220	Nut, 5/16-18 Hex Zinc
22	6240050	Flat Washer, 5/16"
23	3150010	Rubber Grommet, Small, 5/8"
	3150170	Rubber Grommet, Large, 15/16"
24	6160030	Spacer, 5/16 x 7/16 x 5/8"
	6160070	Sleeve, 5/16 x 7/16 x 7/8"
25	3014100	Suction Line Drier (Service Only - Not Shown)

611G SEALED SYSTEM VIEW

